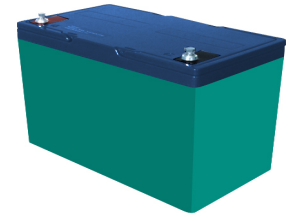


Overview

The new VISION HFS series batteries are designed for UPS Standby Power Applications requiring high power output. Computer designed grids and optimized plate paste formula produce high energy density and long lasting uninterrupted power for critical systems.



Battery Construction

Component	Positive plate	Negative plate	Container	Cover	Safety valve	Terminal	Separator	Electrolyte
Raw material	Lead dioxide	Lead	ABS	ABS	Rubber	Copper	Fiberglass	Sulfuric acid

General Features

- Positive and negative plates in lead-calcium-tin alloy;
- Superior energy density;
- Operate at a low internal pressure;
- Gas recombination;
- Special separator technology;
- A recognized component of UL, IEC, TLC. etc;
- Flame retardant ABS(UL 94-FV0);
- Very high power output for 5 to 15 minutes supply
- A covered range from 90W to 850W per cell for 15min @ 1.67Vpc;
- Six months shelf life at 20 °C;
- Design life :12+ years at 20 °C;
- Recommended loading 1h and below;

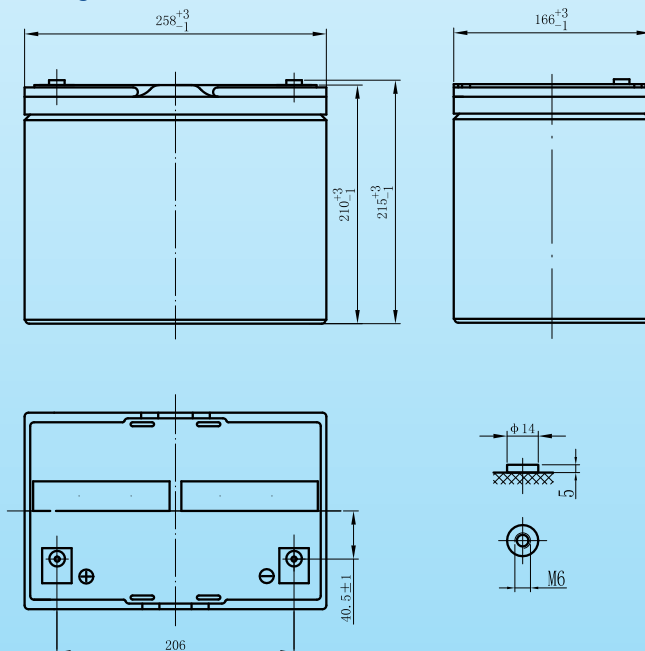
Battery Specification

Performance Characteristics	
Nominal Voltage	12V
Number of cell	6
Design Life	12 years
Nominal Capacity 77°F(25°C)	
15 min wattage @ 1.67VPC	320W/cell
10 hour rate (7.50A,10.8V)	75 Ah
20 hour rate (4.00A,10.8V)	80 Ah
Internal Resistance	
Fully Charged battery 77°F(25°C)	≤5.0 mOhms
Self-Discharge	
3% of capacity declined per month at 20°C(average)	
Operating Temperature Range	
Discharge	-20~60°C
Charge	-10~60°C
Storage	-20~60°C
Max. Discharge Current 77°F(25°C)	670A(5s)
Charge Methods: Constant Voltage Charge 77°F(25°C)	
Cycle use	2.40~2.45VPC
Maximum charging current	24A
Temperature compensation	-30mV/°C
Standby use	2.23~2.30VPC
Temperature compensation	-20mV/°C

Dimensions and Weight

Length(mm / inch)	258/10.2
Width(mm / inch)	166/6.54
Height(mm / inch)	210/8.27
Total Height(mm / inch)	215/8.46
Approx. Weight(Kg / lbs)	24.5/54.0

* Weight deviation: ± 5%



Discharge Constant Current (Amperes at 77°F25°C)

End Point Volts/Cell	3min	5min	10min	15min	20min	25min	30min	45min	60min
1.60	397	332	242	183	153	130	116	87.8	69.1
1.65	386	319	231	174	148	127	113	85.2	67.3
1.67	382	314	227	170	146	126	112	84.2	66.6
1.70	372	305	216	164	140	122	109	82.2	64.2
1.75	348	272	198	154	131	113	102	79.1	62.2
1.80	318	249	183	144	124	108	98	73.6	57.9

Discharge Constant Power (Watts at 77°F25°C)

End Point Volts/Cell	3min	5min	10min	15min	20min	25min	30min	45min	60min
1.60	810	640	432	327	281	241	213	158	124
1.65	754	598	420	322	273	235	209	155	122
1.67	732	581	415	320	270	232	207	154	121
1.70	673	551	386	301	263	228	204	152	119
1.75	643	500	364	288	249	216	196	150	116
1.80	583	465	340	273	238	210	188	142	111

(Note)The above characteristics data are average values obtained within three charge/discharge cycles not the minimum values.All data shall be changed without notice,Vision reserves the right to explain and update the information contained hereinto.



VISION GROUP
Shenzhen Center Power
Tech.Co.Ltd.,

HFS12-320W-X

12V 75Ah

