

HFS12-550W-X

FEATURES

- Maintenance free(no water topping-up required)
- No free acid(Non-spillable battery)
- Low self-discharge rate, lower than 3% capacity loss per month
- Gas recombination efficiency over 99%
- Computer designed lead, Pure lead grid for high power density.
- The battery is designed for high rate usage

Application Fields

- Office Machines and Computers
- Telecommunications
- UPS Equipment
- Electrical facilities
- Vending machine

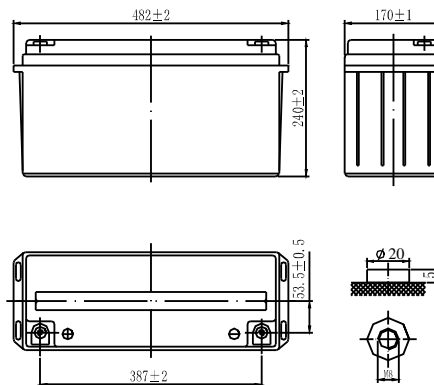
SPECIFICATIONS

Nominal Voltage	12 V
Nominal Capacity	565W/cell @ 15 min rate F.V.(1.67V/cell)
Approx. Weight	45Kg(98 lbs) (Weight deviation: ± 3%)
Internal Resistance	≤3.5mΩ (Fully Charged)
Max. Discharge Current	1000 A (5 sec.)
Max. Charge Current	45 A
Operating Temperature Range	Charge : -10°C~50°C Discharge : -20°C~60°C Storage. : -20°C~60°C
Container Material	ABS



Dimensions

	SI Units	English Units
Length	482mm	19.0inch
Width	170mm	6.69inch
Height	240mm	9.45inch
Total Height	240mm	9.45inch



Constant Current Discharge(Amperes at 25 °C)

End Point Volts/cell	10min	15min	20min	30min	45min	60min
1.60	416	332	265	191	132	102
1.67	382	312	253	183	127	99
1.75	348	291	240	174	121	96
1.80	327	277	230	168	118	93

Constant Power Discharge(Watts at 25 °C)

End Point Volts/cell	10min	15min	20min	30min	45min	60min
1.60	728	600	474	338	243	192
1.67	669	565	453	324	234	186
1.75	609	527	429	308	223	181
1.80	572	502	411	297	217	175

(Note)The above characteristics data are average values obtained within three charge/discharge cycles not the minimum values. All data shall be changed without prior notice, VISION reserves the right to explain and update the information contained hereinto.