

HFS12-400W-X

FEATURES

- Maintenance free(no water topping-up required)
- No free acid(Non-spillable battery)
- Low self-discharge rate, lower than 3% capacity loss per month
- Gas recombination efficiency over 99%
- Computer designed lead, Pure lead grid for high power density.
- The battery is designed for high rate usage

Application Fields

- Office Machines and Computers
- Telecommunications
- UPS Equipment
- Electrical facilities
- Vending machine

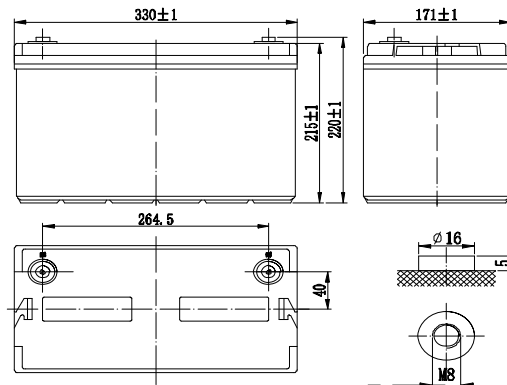
SPECIFICATIONS

Nominal Voltage	12 V
Nominal Capacity	400W/cell @ 15 min rate F.V.(1.67V/cell)
Approx. Weight	32.5Kg(71.6 lbs) (Weight deviation: ± 3%)
Internal Resistance	≤5m Ω (Fully Charged)
Max. Discharge Current	900 A (5 sec.)
Max. Charge Current	30 A
Operating Temperature Range	Charge : -10°C~50°C Discharge : -20°C~60°C Storage. : -20°C~60°C
Container Material	ABS



Dimensions

	SI Units	English Units
Length	330mm	13.0inch
Width	171mm	6.73inch
Height	215mm	8.46inch
Total Height	220mm	8.66inch



Constant Current Discharge(Amperes at 25 °C)

End Point Volts/cell	10min	15min	20min	30min	45min	60min
1.60	295	235	188	135	95	72
1.67	271	225	176	126	89	68
1.75	247	200	164	117	81	63
1.80	231	190	156	110	76	60

Constant Power Discharge(Watts at 25 °C)

End Point Volts/cell	10min	15min	20min	30min	45min	60min
1.60	520	420	333	238	171	135
1.67	478	400	312	222	160	128
1.75	435	356	290	206	146	118
1.80	407	338	276	194	137	113

(Note)The above characteristics data are average values obtained within three charge/discharge cycles not the minimum values. All data shall be changed without prior notice, VISION reserves the right to explain and update the information contained hereinto.