



VISION GROUP
Shenzhen Center Power
Tech.Co.Ltd.,

HF12-650W-X

12V 150Ah

Overview

The rechargeable batteries are lead-lead dioxide systems. The dilute sulfuric acid electrolyte is absorbed by separators and plates and thus immobilized. Should the battery be accidentally overcharged producing hydrogen and oxygen, special oneway valves allow the gases to escape thus avoiding excessive pressure build-up. Otherwise, the battery is completely sealed and is, therefore, maintenance-free, leak proof and usable in any position.



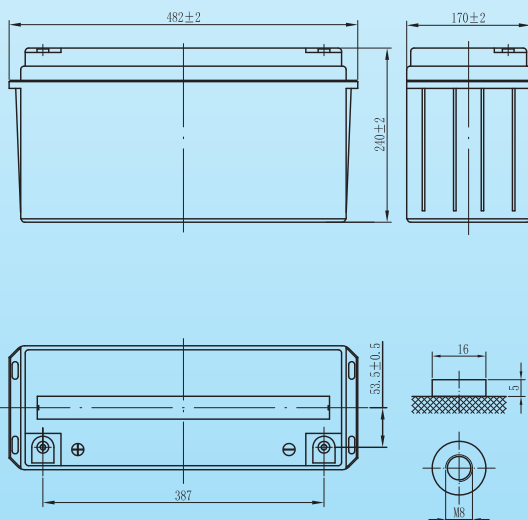
General Features

- Positive and negative plates in lead-calcium tin alloy;
- Superior energy density;
- Operates at a low internal pressure;
- Gas Recombination;
- Usable in any orientation;
- A recognized component of UL;
- Very high power output;
- Application specific designs;
- A couple Range from 13W to 1010W per cell for 10'@1.60Vpc;
- Six months shelf life at 20°C;
- Design life 10 years.

Dimensions and Weight

Length(mm / inch)	482 / 19.0
Width(mm / inch)	170 / 6.69
Height(mm / inch)	240 / 9.45
Total Height(mm / inch)	240 / 9.45
Approx. Weight(Kg / lbs)	46.4 / 102

* Weight deviation: $\pm 5\%$



Battery Specification

Performance Characteristics	
Nominal Voltage	12V
Number of cell	6
Design Life	10 years
Nominal Capacity 77°F(25°C)	
10 min wattage @1.6V	650W/cell
20hour rate (7.86A, 10.5V)	157.2Ah
10hour rate (15.0A, 10.8V)	150Ah
Internal Resistance	
Fully Charged battery 77°F(25°C)	≤ 4.0 mOhms
Self-Discharge	
3% of capacity declined per month at 20°C(average)	
Operating Temperature Range	
Discharge	-20~60°C
Charge	-10~60°C
Storage	-20~60°C
Max. Discharge Current 77°F(25°C)	1000A(5s)
Charge Methods: Constant Voltage Charge 77°F(25°C)	
Cycle use	2.40-2.45VPC
Maximum charging current	45.0A
Temperature compensation	-30mV/°C
Standby use	2.20-2.30VPC
Temperature compensation	-20mV/°C

Discharge Constant Current (Amperes at 77°F25°C)

End Point						
Volts/Cell	10min	15min	20min	30min	45min	60min
1.60V	365	306	256	206	148	115
1.65V	346	290	243	196	140	110
1.70V	326	274	230	185	133	105
1.75V	306	258	216	175	126	99.3
1.80V	294	249	210	170	123	97.1

Discharge Constant Power (Watts at 77°F25°C)

End Point						
Volts/Cell	10min	15min	20min	30min	45min	60min
1.60V	650	550	457	365	270	210
1.65V	626	530	442	353	262	204
1.70V	602	511	426	342	254	199
1.75V	577	492	411	330	246	193
1.80V	553	473	396	318	238	187

(Note)The above characteristics data are average values obtained within three charge/discharge cycles not the minimum values.All data shall be changed without notice, Vision reserves the right to explain and update the information contained hereinto.



VISION GROUP
Shenzhen Center Power
Tech.Co.Ltd.,

HF12-650W-X

12V 150Ah

