



Overview

The rechargeable batteries are lead-lead dioxide systems. The dilute sulfuric acid electrolyte is absorbed by separators and plates and thus immobilized. Should the battery be accidentally overcharged producing hydrogen and oxygen, special oneway valves allow the gases to escape thus avoiding excessive pressure build-up. Otherwise, the battery is completely sealed and is, therefore, maintenance-free, leak proof and usable in any position.

General Features

- Advanced pure lead technology;
- The battery is designed for high rate usage;
- Excellent consistency and reliability;
- Longer float life;
- Special design to avoid thermal runaway;
- 4-fold terminal sealing to avoid leaking;
- Strongest High Rated Discharge Performance;
- Maintenance-free operation;
- Low self-discharge rate.

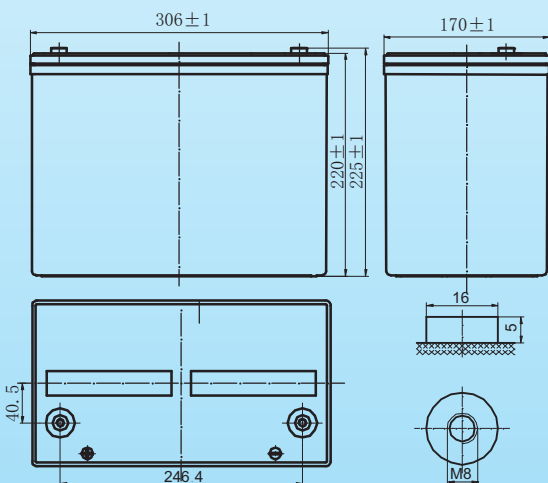
Application

- ups Equipment(High rate)
- High power backup supply
- Emergency power supply
- Starting system
- Power tools
- Emergency lighting
- Electrical starting

Dimensions and Weight

Length(mm / inch)	306 / 12.0
Width(mm / inch)	170 / 6.69
Height(mm / inch)	220 / 8.66
Total Height(mm / inch)	225 / 8.86
Approx. Weight(Kg / lbs)	28.5 / 65.8

* Weight deviation: $\pm 5\%$



Battery Specification

Performance Characteristics	
Nominal Voltage	12V
Number of cell	6
Design Life	10 years
Nominal Capacity	390W/cel@15 min rateF.V. (1.67V/cell)
Nominal Capacity 77°F(25°C)	10hour rate (9.00A, 10.8V) 90.0Ah
Internal Resistance	Fully Charged battery 77°F(25°C) ≤ 4.0 mOhms
Self-Discharge	3% of capacity declined per month at 20°C(average)
Operating Temperature Range	
Discharge	-20-60°C
Charge	-10-60°C
Storage	-20-60°C
Max. Discharge Current 77°F(25°C)	810A(5s)
Max.Charge Current	270A
Charge Methods: Constant Voltage Charge 77°F(25°C)	
Cycle use	2.40-2.45VPC
Maximum charging current	27.0A
Temperature compensation	-30mV/°C
Standby use	2.20-2.30VPC
Temperature compensation	-20mV/°C

Discharge Constant Current (Amperes at 77°F25°C)

End Point						
Volts/Cell	5min	10min	15min	30min	45min	60min
1.60V	347	275	223	136	90.0	67.5
1.65V	324	258	213	128	85.0	64.7
1.70V	317	247	205	123	81.0	62.6
1.75V	300	236	297	117	76.5	59.5
1.80V	286	227	287	111	74.2	57.6

Discharge Constant Power (Watts at 77°F25°C)

End Point						
Volts/Cell	5min	10min	15min	30min	45min	60min
1.60V	654	497	395	235	164	124
1.65V	615	477	390	225	160	121
1.70V	585	463	365	216	155	115
1.75V	561	445	348	209	148	111
1.80V	538	428	333	200	140	103

(Note)The above characteristics data are average values obtained within three charge/discharge cycles not the minimum values.All data shall be changed without notice, Vision reserves the right to explain and update the information contained hereinto.



VISION GROUP
Shenzhen Center Power
Tech.Co.Ltd.,

HF12-390WP-X

12V 90Ah

