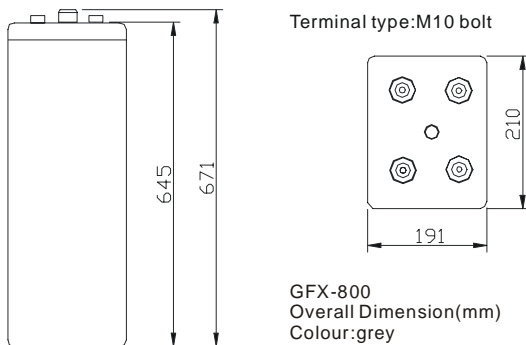


## GFX-1000 2V1000Ah

The blue transparent case is made of AS imported from Italy. It is resistant to corrosion, retardant to flame, strong and has a nice appearance. The internal structure and status of battery can be observed outside through the transparent case. With the combined application of porous rubber and porous PVC, the separator has a high porosity and good corrosion-resistance, therefore it can absorb more acid to effectively prevent internal short-circuit, and the diffusion of electrolyte is fast to reduce greatly the resistance of battery ensuring sufficient electrolyte when of discharge.



### Dimensions and Weight

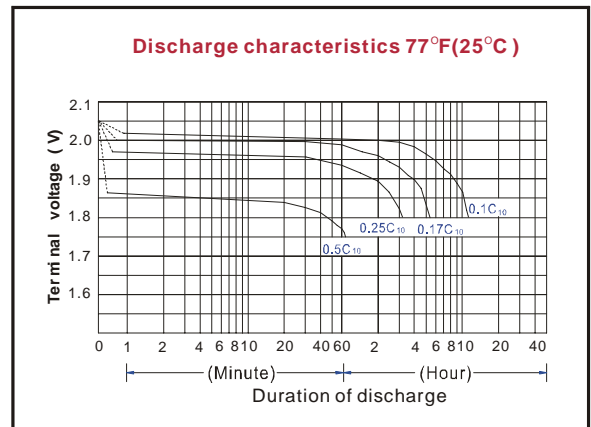
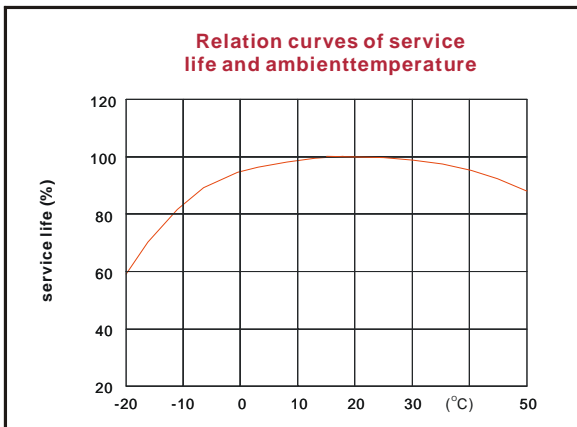
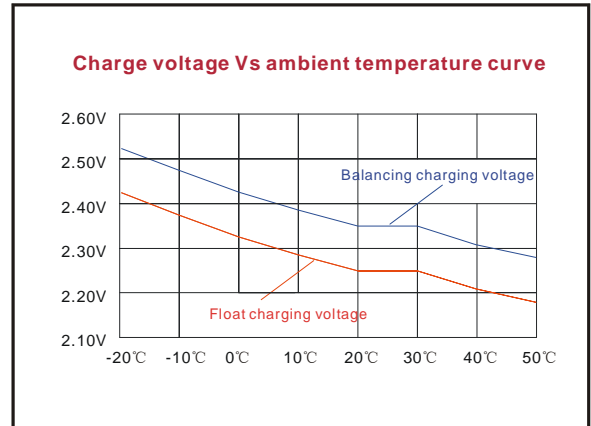
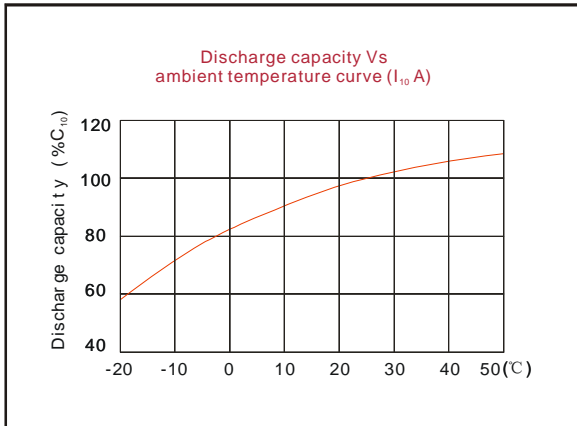


### Specifications

Nominal voltage		2V
Rated capacity (10 hour rate)		1000Ah
Dimension	Length (L)	233mm
	Width (W)	210mm
	Heigh (h)	645mm
	Total height	700mm
Approx. mass (without electrolyte)		55.5Kg
Approx. mass (with electrolyte)		74.6Kg

### Basic electric performance parameters

	cut-off voltage (V)	Capacit (Ah)
1 hour rate	1.67	520
3 hour rate	1.75	750
5 hour rate	1.77	860
10 hour rate	1.80	1000
24 hour rate	1.85	1210
48 hour rate	1.85	1340
72 hour rate	1.85	1440
96 hour rate	1.85	1445
120 hour rate	1.85	1450
240 hour rate	1.85	1470



This information is generally descriptive only and is not intended to make or imply any representation, guarantee or warranty with respect to any cells and batteries. Cell and battery designs/specifications are subject to modification without notice. Contact Shenzhen Center Power Tech. Co., Ltd for the latest information.

**Shenzhen Center Power Tech. Co., Ltd.**  
 Center Power Industrial Park, Tongfu Industrial District Dapeng Town,  
 518120 Shenzhen, China  
 Tel: +86-755-8431 8088 Fax: +86-755-8431 8038  
 Email: sales@vision-batt.com

